

BASE RACK FITTING INSTRUCTION

Part Number: **1780810**
Product Description: **BASERACK ROOF TOP TENT MOUNT**

WARNING

- ◆ This product is suitable for ARB **Flinders, Simpson, Esperance & Altitude** tents, using 4 clamps and supplied M8 bolts only
For other tents, additional clamps may be needed. Refer to tent instructions or contact tent manufacturer
- ◆ This product is rated for max 150kg (330 lbs) tents, using 4 clamps
- ◆ Individual clamp max rating is 40kg (88 lbs)
- ◆ Maximum vertical load per BASE RACK beam is 25kg (55lbs). Exceeding this limit may result in damage or failure. Heavier loads must be supported by several beams
- ◆ This product must be installed as per these instructions using only the hardware supplied
- ◆ This product or its fixing must not be modified in any way
- ◆ These instructions are correct as at the publication date
- ◆ During installation, it is the duty of the installer to check correct operation/clearances of all components
- ◆ Work safely at all times
- ◆ Unless otherwise instructed, tighten fasteners to specified torque
- ◆ Fastener torques are to be checked at regular intervals

ARB 4x4 ACCESSORIES

Corporate Head Office

42-44 Garden St
Kilsyth, Victoria
AUSTRALIA 3137

Tel: +61 (3) 9761 6622
Fax: +61 (3) 9761 6807

Australian enquiries
North & South American enquiries
Other international enquiries

sales@arb.com.au
sales@arbusa.com
exports@arb.com.au

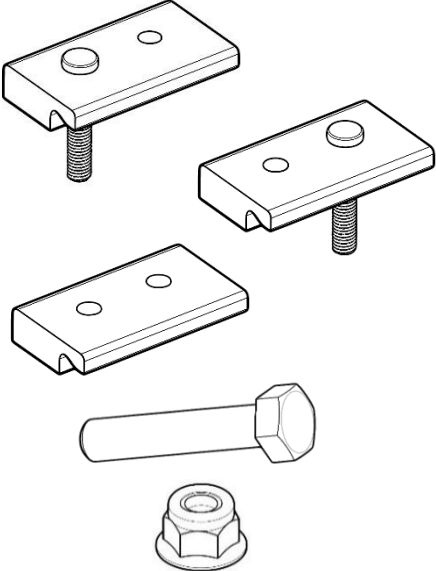
[**www.arb.com.au**](http://www.arb.com.au)

REQUIRED TOOLS FOR FITMENT:

13mm Spanner/Wrench

FASTENER TORQUE SETTINGS: 



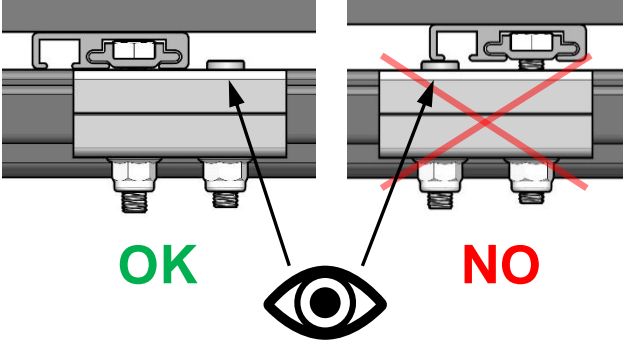

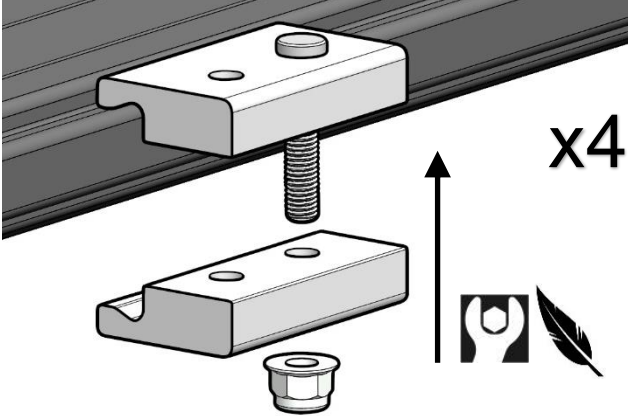
SIZE	Torque Nm	Torque lbft
M8	22Nm	16lbft

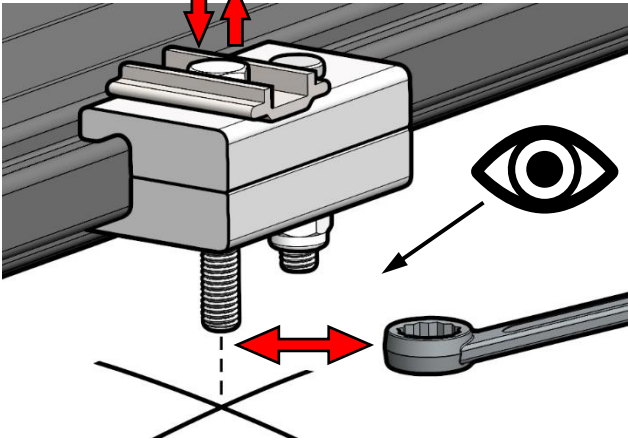
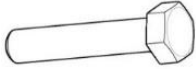
PARTS LISTING			
PICTURE	PART NO.	QTY	DESCRIPTION
	6191205R	2	CLAMP 70mm with STUD - RIGHT
	6191205L	2	CLAMP 70mm with STUD - LEFT
	6191204	4	CLAMP 70mm
	6152199	4	BOLT HEXAGONAL HEAD M8x45
	6152200	8	NUT FLANGE NYLOC M8

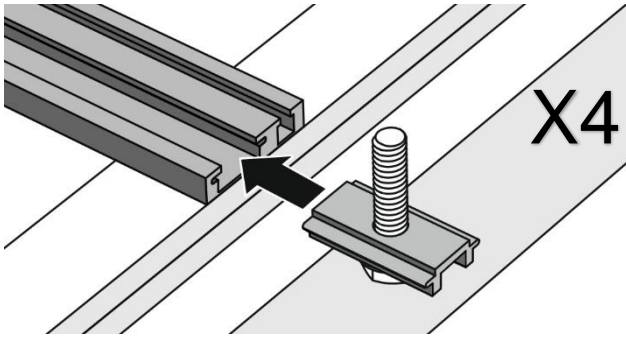
BEFORE STARTING, CAREFULLY:

- **READ ALL STEPS OF PRESENT INSTRUCTIONS**
- **READ AND FOLLOW ALL TENT INSTRUCTIONS**
- **CHECK ALL PARTS**

STEP1: PLACE MOUNTS	
<p>Tent underside</p>	<ol style="list-style-type: none"> 1. Measure the distance X between the attachment rails (centre to centre) on the underside of the tent. 2. Distance between end of rail and mount (measured at bolt) should not be less than: <ul style="list-style-type: none"> - 125mm for ARB Flinders & ARB Simpson. - *50mm for ARB Esperance & ARB Altitude. 3. Distance between mounts and centre of the tent should not be less than 1/6 L. <p><i>Note: Tent's attachment rails should lay across the BASERACK's beams, not in line.</i></p>

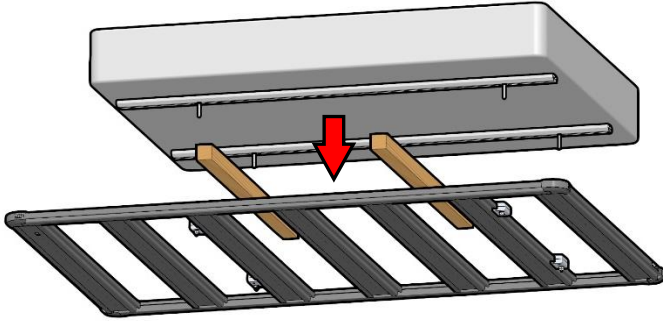
	<p>4. In the back to front direction, it is recommended for pairs of mounts to be facing opposite ways, as shown.</p>
<p style="text-align: center;"><i>Recommended assemblies</i></p> 	<p>(One mount facing forward, the other facing backward)</p>
 <p style="text-align: center;">OK NO</p>	<p>5. Choose Right or Left-hand mounts carefully:</p> <p>Some Tent attachment rails (ARB Flinders & ARB Simpson) are asymmetrical and will interfere with the stud's head when wrong hand is chosen.</p> 
	<p>6. - Make pairs of clamps as shown.</p> <p>- Put the mounts in position following the previous steps.</p> <p>- Secure with an M8 nyloc flange nut. <i>Do not tighten fully: mounts need to be able to slide on beams.</i></p>

STEP 2: ASSEMBLE TENT	
	<p>7. - Check that bolts from tent will fit.</p> <p>- Check that there will be enough space to remove tools.</p> <p>- If there is not enough clearance, use M8x45 Hex bolts provided in this kit.</p> 

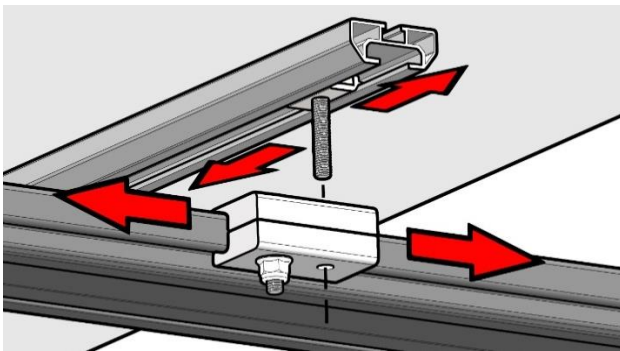
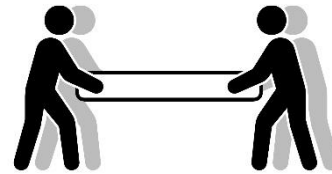


Follow tent instructions to:

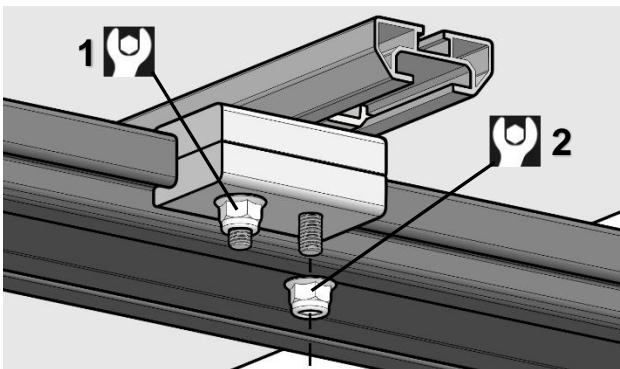
8. Insert [Slider + M8 bolt] pairs in tent attachment rails.
9. Place [Slider + M8 bolt] pairs in position to match mount placement.



10. Place spacers (wooden beams) on the rack.
11. With help, lower the roof top tent on the spacers, roughly in position.



12. Align sliders and mounts as shown.
13. With help, remove the spacers and lower the tent on the BASERACK, so that the slider's bolts insert in the mounts.



For each mount:

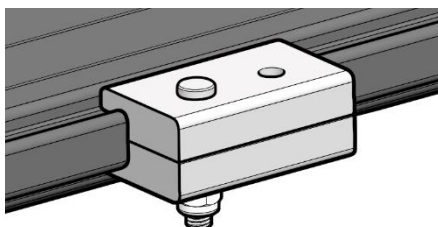
14. First tighten the stud's M8 nut to specified torque.
15. Then tighten the slider's M8 nut to specified or to tent manufacturer recommended torque.



Torque M8 to 22Nm (16lbft)



Torque M8 to 22Nm (16lbft)



Note:
When removing the tent,
Mounts can stay in place.